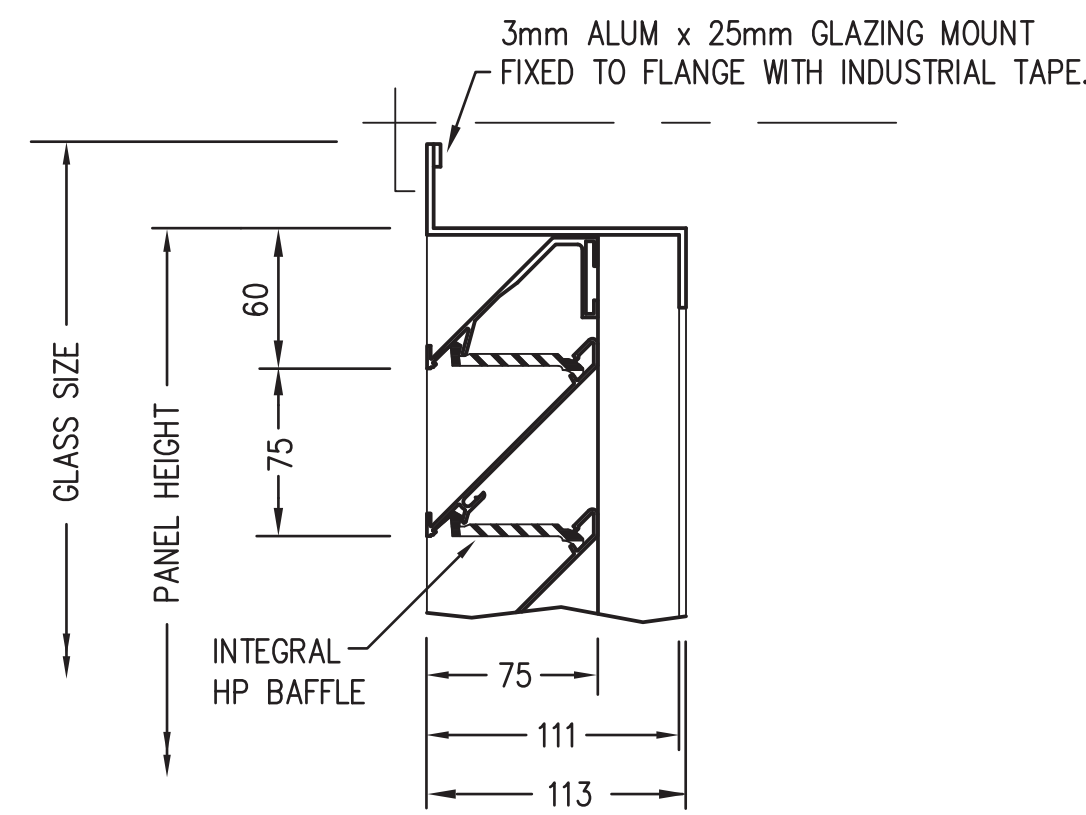


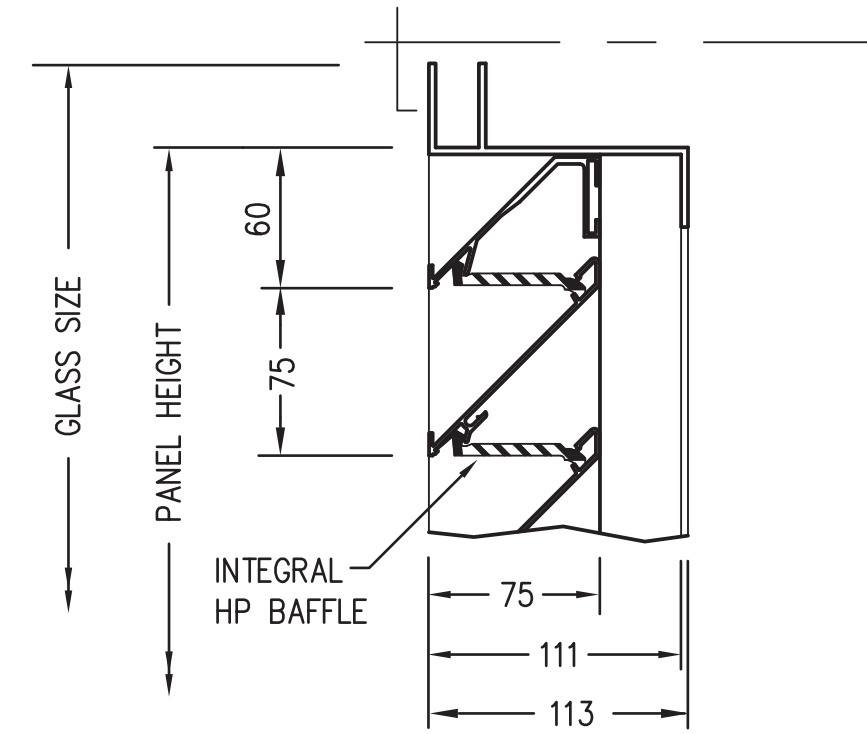
# SINGLE GLAZING

# DOUBLE GLAZING

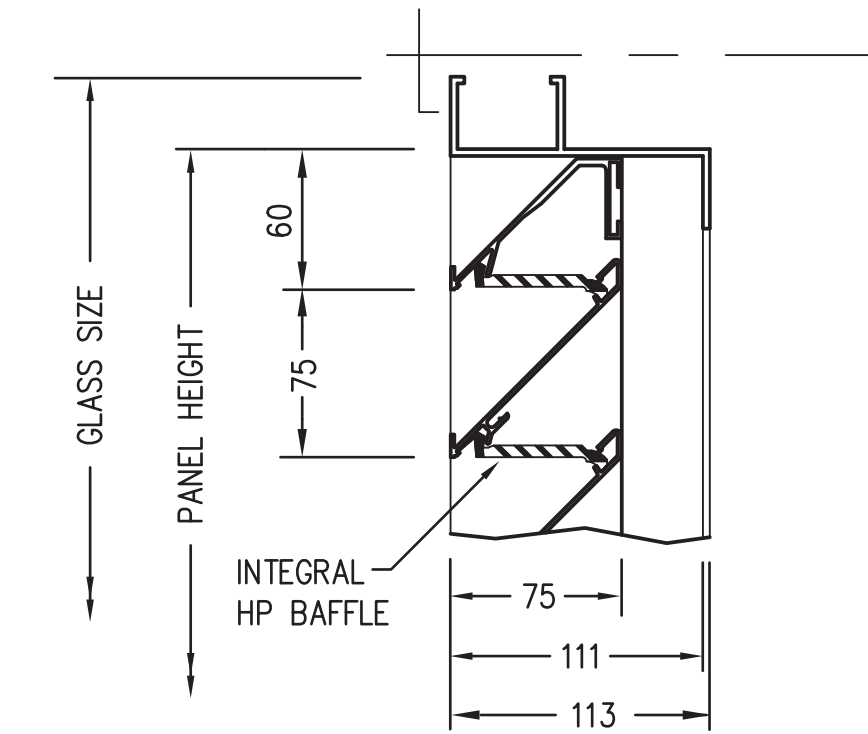
# CLADDING DETAIL



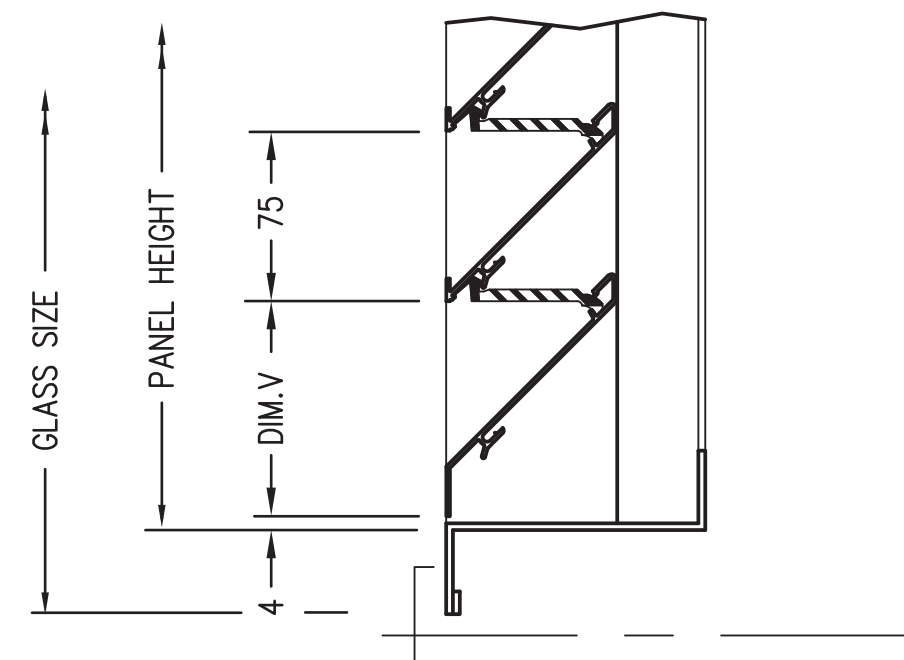
235. STANDARD HEAD DETAIL



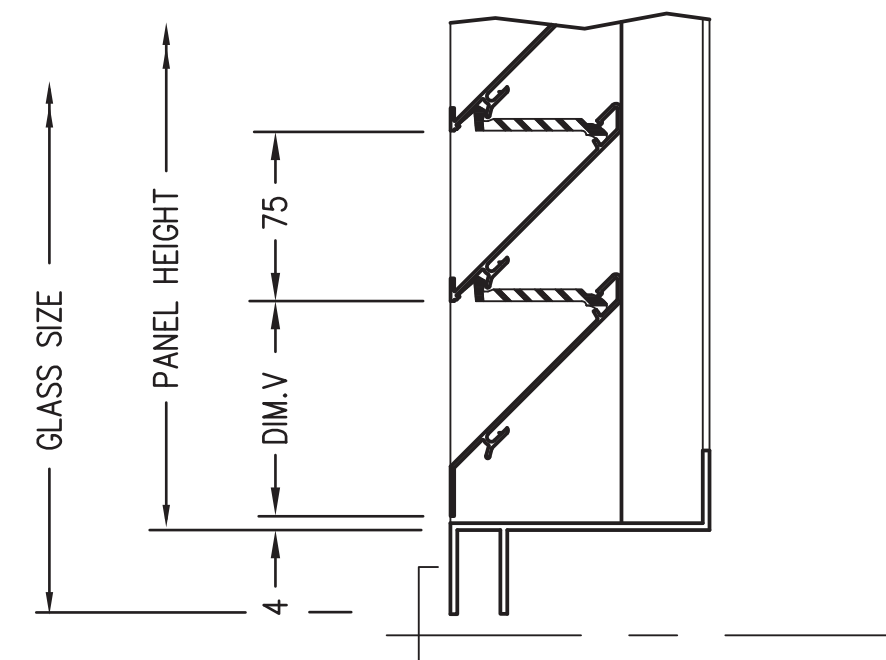
245. STANDARD HEAD DETAIL



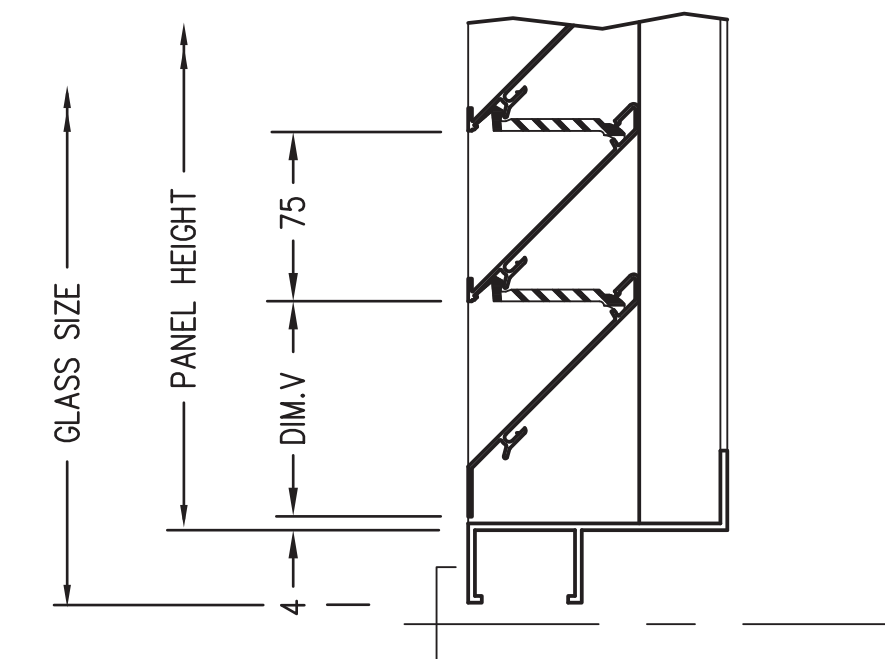
255. STANDARD HEAD DETAIL



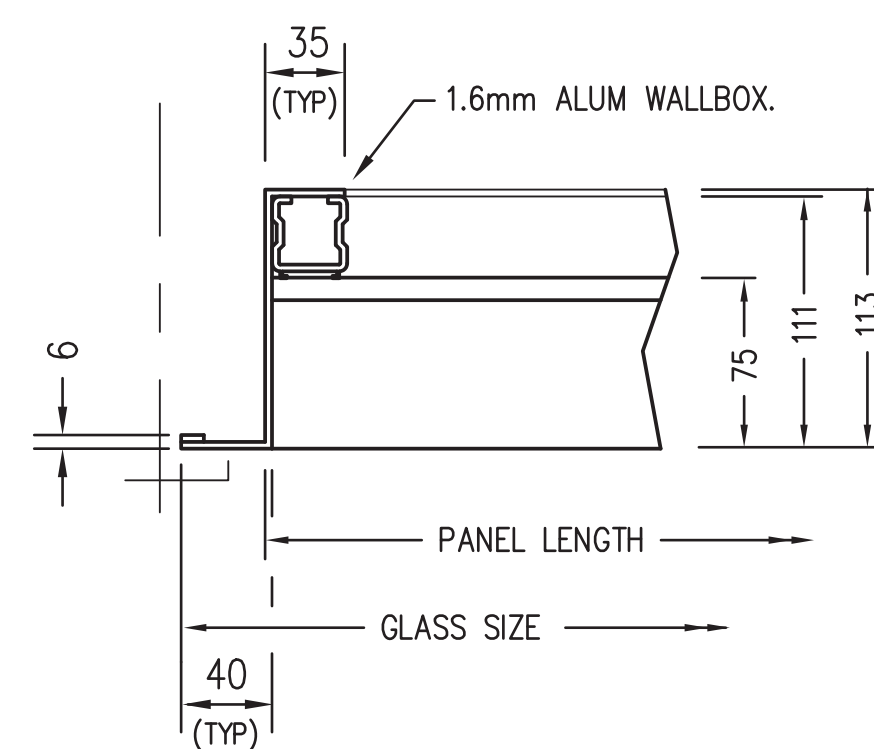
236. VARI-BLADE CILL DETAIL



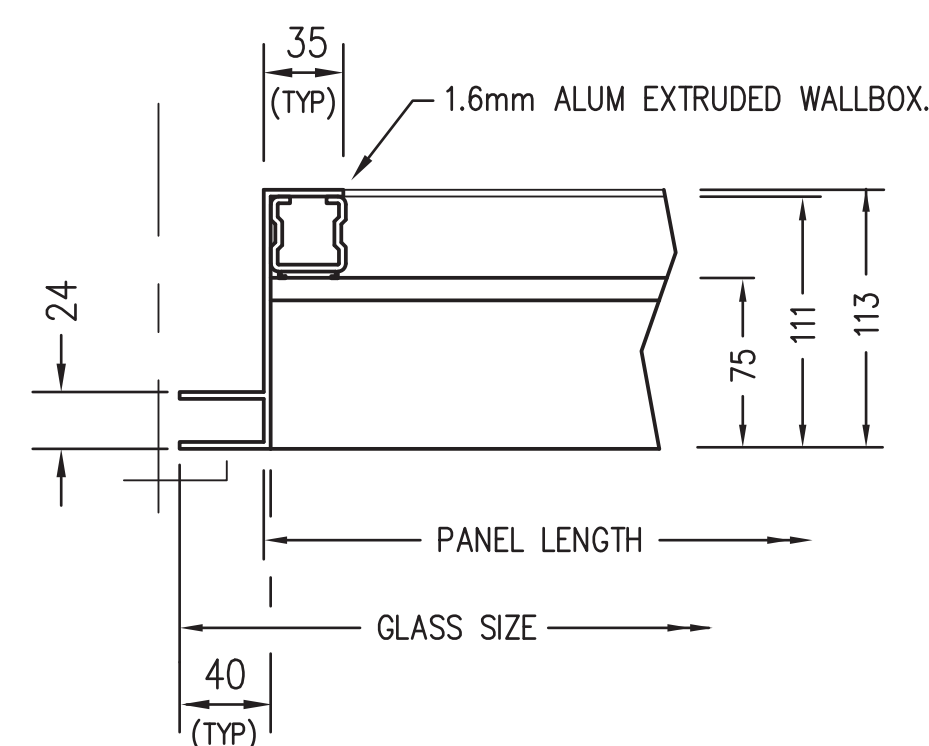
246. VARI-BLADE CILL DETAIL



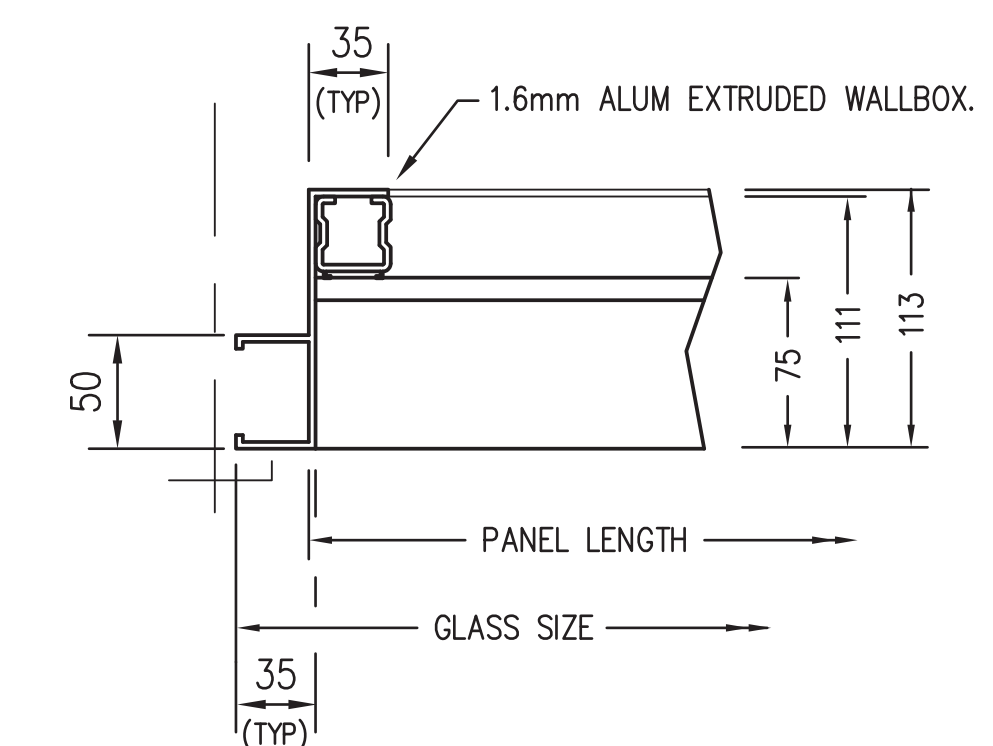
256. VARI-BLADE CILL DETAIL



232. JAMB DETAIL



242. JAMB DETAIL



252. JAMB DETAIL

SO SUPPLY ONLY S&F SUPPLY & FIX

LOUVRE TYPE :	LOUVRE_TYPE
TRIM TYPE :	TRIM_TYPE
GUARD TYPE :	GUARD_TYPE
PAINT TYPE :	PAINT_TYPE
FINISH :	FINISH
COLOUR :	COLOUR
LOCATION :	LOCATION
CUSTOMERS REF :	CUST_REF'S
GAV REF :	GAV_REF'S

DO NOT SCALE DRAWING, IF IN DOUBT ASK.  
ALL DETAILS & DIMENSIONS MUST BE CONFIRMED AS CORRECT BEFORE MANUFACTURE OF LOUVRES CAN COMMENCE.  
CUSTOMER DRAWINGS USED :-  
CUST\_DRAWINGS\_USED

Rev	Description	Mod. By	Date

© COPYRIGHT 2009 HUNTER PRODUCTS  
THIS DRAWING & DESIGN ARE THE PROPERTY OF HUNTER PRODUCTS GROUP, AND MUST NOT BE COPIED OR USED IN ANY WAY PREJUDICIAL TO THEIR INTERESTS.

Project

Customer

Drawing Title  
**75HP GLAZING TRIMS**

Location/Panel Ref. PANEL\_LOCATION

Drawing No.	Sheet No.	Revision
DWG_NO	SHT	REV

Scale	SCALE	Date	DATE
Computer File No.	COMPUTER_FILE_NO	Project No.	CONTRACT_NO
Drawn By	DRAWN_BY	Checked By	CHKD_BY
Coordinated By	CONTRACT_ENGINEER	Approved By	APP'VD_BY



NOTE: The details shown within this drawing are for use as an aid only. If you are unsure which blocks are best suited for your application please contact our technical team on (0161) 763 3735 and we will be

© COPYRIGHT 2009 HUNTER PRODUCTS  
THIS DRAWING & DESIGN ARE THE PROPERTY OF HUNTER PRODUCTS GROUP, AND MUST NOT BE COPIED OR USED IN ANY WAY PREJUDICIAL TO THEIR INTERESTS.